

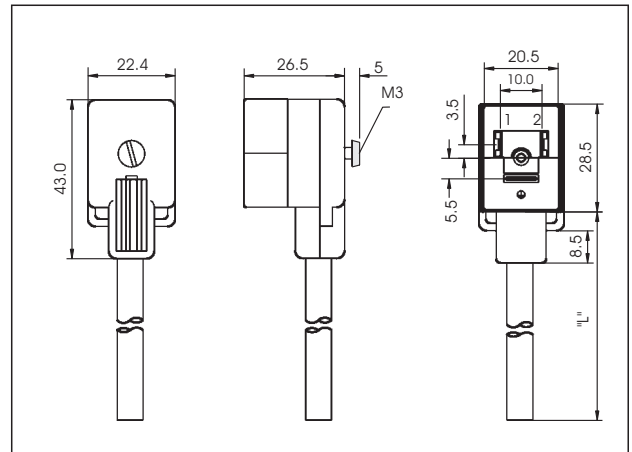
VALVE-CONNECTORS,IP67

View



- Valve connector according to DIN EN175301-803
- Form B
- With built-in LED and varistor voltage protection

Dimensional data



Technical Data

Operating temperature : -25 °C /+80 °C
 Housing/Molded body : TPU, self-extinguishing
 Degree of Protection : IP 67
 Contact : CuZn, nickel-plated and tin-plated

Contact Resistance : $\leq 5m\Omega$
 Nominal current at 40 °C : 4A
 Nominal Voltage : 24V
 Rated Voltage : 32V
 Pollution degree : 3

Catalog Number

Part-No	Poles	Face View female	Color Code	Conductors		Outer Jacket		Circuit Protection
				Guage	Stranding	ϕ mm	Material	
V-FAZBVY052	2+ 		1 = brown 2 = blue = green / yellow	0.50mm ²	16x ϕ 0.20	5.5	PUR/PVC	
V-FAZBVV552				0.50mm ²	16x ϕ 0.20	5.0	PVC irradiated	

"L"=Standard length:2.0m,3.0m,5.0m,10.0m. other cable length or cable specifications on request.

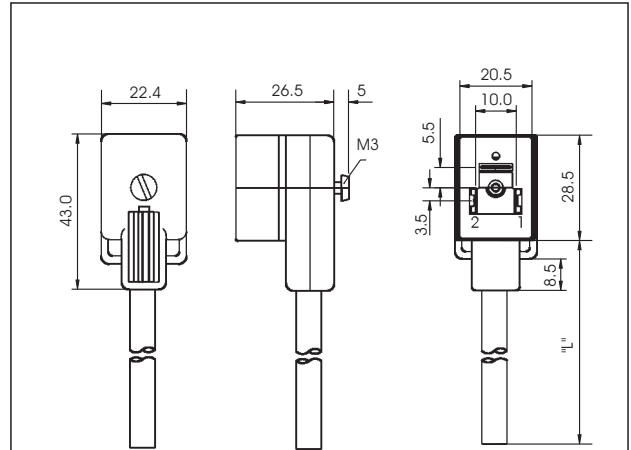
VALVE-CONNECTORS, IP67

View



- Valve connector according to DIN EN175301-803
- Form B
- With built-in LED and varistor voltage protection

Dimensional data



Technical Data

Operating temperature : -25 °C / +80 °C
 Housing/Molded body : TPU, self-extinguishing
 Degree of Protection : IP 67
 Contact : CuZn, nickel-plated and tin-plated

Contact Resistance : $\leq 5m\Omega$
 Nominal current at 40 °C : 4A
 Nominal Voltage : 24V
 Rated Voltage : 32V
 Pollution degree : 3

Catalog Number

Part-No	Poles	Face View female	Color Code	Conductors		Outer Jacket		Circuit Protection
				Guage	Stranding	ϕ mm	Material	
V-FAEBVY052	3+ 		1 = brown 2 = blue = Green / yellow	0.50mm ²	16x ϕ 0.20	5.5	PUR/PVC	
V-FAEBVV552				0.50mm ²	16x ϕ 0.20	5.0	PVC irradiated	

"L"=Standard length:2.0m,3.0m,5.0m,10.0m. other cable length or cable specifications on request.

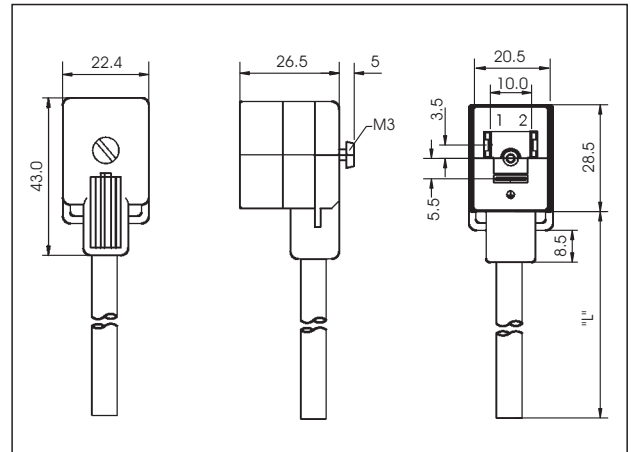
VALVE-CONNECTORS, IP67

View



- Valve connector according to DIN EN 175301-803
- Form B
- With built-in LED and suppressor diode voltage protection

Dimensional data



Technical Data

Operating temperature : -25 °C / +80 °C
 Housing/Molded body : TPU, self-extinguishing
 Degree of Protection : IP 67
 Contact : CuZn, nickel-plated and tin-plated

Contact Resistance : $\leq 5\text{m}\Omega$
 Nominal current at 40 °C : 4A
 Nominal Voltage : 24V
 Rated Voltage : 32V
 Pollution degree : 3

Catalog Number

Part-No	Poles	Face View female	Color Code	Conductors		Outer Jacket		Circuit Protection
				Guage	Stranding	ϕ mm	Material	
V-FAZBSY052	2+ 		1 = brown 2 = blue = green / yellow	0.50mm ²	16 x ϕ 0.20	5.5	PUR/PVC	
V-FAZBSV552				0.50mm ²	16 x ϕ 0.20	5.0	PVC irradiated	

"L"=Standard length:2.0m,3.0m,5.0m,10.0m. other cable length or cable specifications on request.

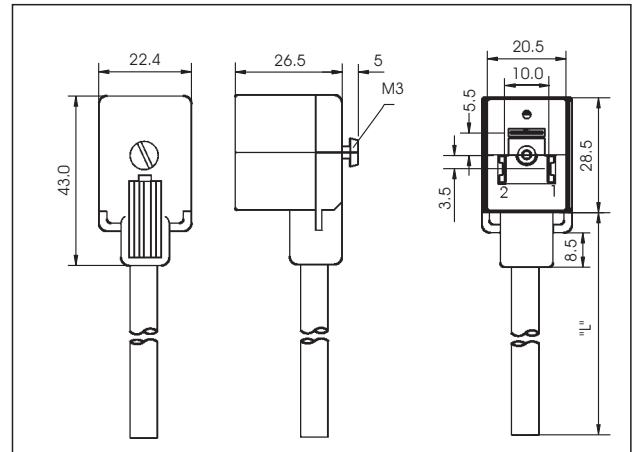
VALVE-CONNECTORS, IP67

View



- Valve connector according to DIN EN 175301-803
- Form B
- Cable exit 180°
- With built-in LED and suppressor diode voltage protection

Dimensional data


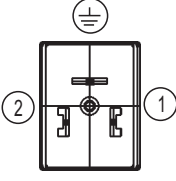

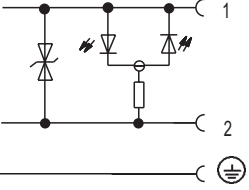


Technical Data

Operating temperature : -25 °C /+80 °C
 Housing/Molded body : TPU, self-extinguishing
 Degree of Protection : IP 67
 Contact : CuZn, nickel-plated and tin-plated

Contact Resistance : $\leq 5m\Omega$
 Nominal current at 40 °C : 4A
 Nominal Voltage : 24V
 Rated Voltage : 32V
 Pollution degree : 3

Catalog Number

Part-No	Poles	Face View female	Color Code	Conductors		Outer Jacket		Circuit Protection
				Guage	Stranding	ϕ mm	Material	
V-FAESY052	2+ 		1 = brown 2 = blue  = green / yellow	0.50mm ²	16x ϕ 0.20	5.5	PUR/PVC	
V-FAESV552				0.50mm ²	16x ϕ 0.20	5.0	PVC irradiated	

"L"=Standard length:2.0m,3.0m,5.0m,10.0m. other cable length or cable specifications on request.

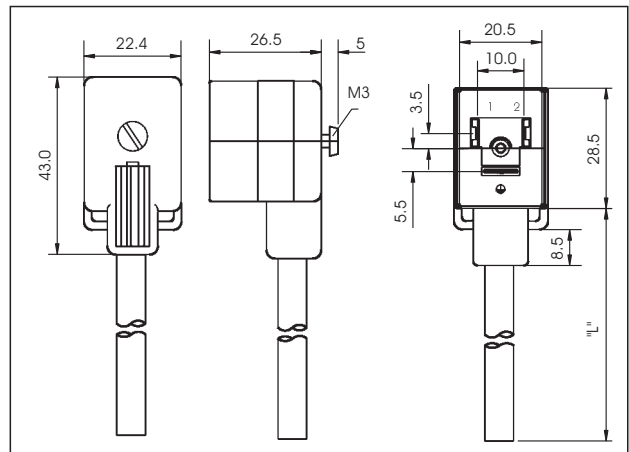
VALVE-CONNECTORS, IP67

View



- Valve connector according to DIN EN 175301-803
- Form B
- Without circuitry
- 2+earth connection

Dimensional data



Technical Data

Operating temperature : $-25\text{ }^{\circ}\text{C} / +80\text{ }^{\circ}\text{C}$
 Housing/Molded body : TPU, self-extinguishing
 Degree of Protection : IP 67
 Contact : CuZn, nickel-plated and tin-plated

Contact Resistance : $\leq 5\text{m}\Omega$
 Nominal current at $40\text{ }^{\circ}\text{C}$: 4A
 Nominal Voltage : 240V
 Rated Voltage : 250V
 Pollution degree : 3

Catalog Number

Part-No	Poles	Face View female	Color Code	Conductors		Outer Jacket	
				Guage	Stranding	ϕ mm	Material
V-FAZBOV532	2+ 		1 = brown 2 = blue = green / yellow	0.50mm ²	16x ϕ 0.20	5.0	PVC

"L"=Standard length:2.0m,3.0m,5.0m,10.0m. other cable length or cable specifications on request.

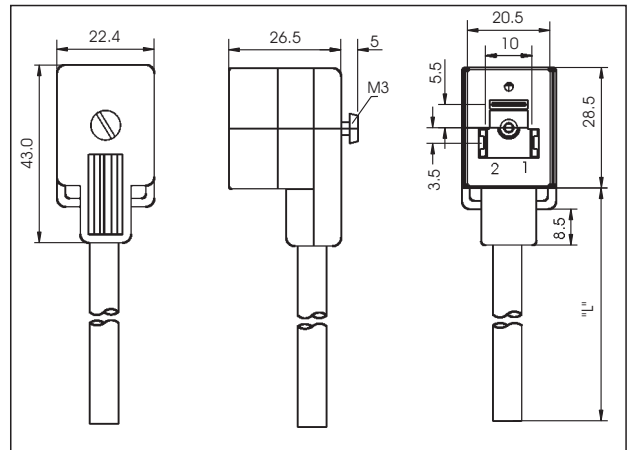
VALVE-CONNECTORS,IP67

View



- Valve connector according to DIN EN 175301-803
- Form B
- Without circuitry, 2+earth connection, cable exit 180 °

Dimensional data



Technical Data

Operating temperature : -25 °C /+80 °C
 Housing/Molded body : TPU, self-extinguishing
 Degree of Protection : IP 67
 Contact : CuZn, nickel-plated and tin-plated

Contact Resistance : $\leq 5m\Omega$
 Nominal current at 40 °C : 4A
 Nominal Voltage : 240V
 Rated Voltage : 250V
 Pollution degree : 3

Catalog Number

Part-No	Poles	Face View female	Color Code	Conductors		Outer Jacket	
				Gauge	Stranding	ϕ mm	Material
V-FAEBOV542	2+ 		1 = brown 2 = blue = green / yellow	0.75mm ²	24 x ϕ 0.20	6.0	PVC

"L"=Standard length:2.0m,3.0m,5.0m,10.0m. other cable length or cable specifications on request.